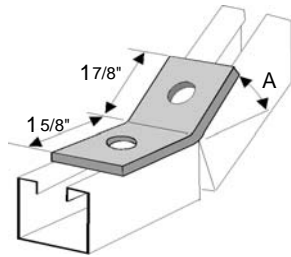


### Two-Hole Open Short Angle

### AF220

Non-Stock Item  
Priced on Application



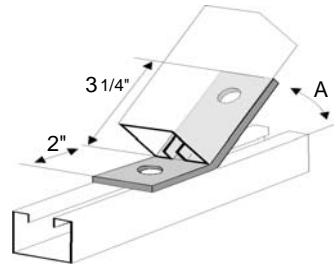
PART No.	A
AF220-1	30°
AF220-2	45°
AF220-3	60°
AF220-4	75°

Wt./C 37 Lbs.  
Std. Pkg. 50 Pcs.

### Two-Hole Open Angle

### AF221

Std Stocking Item  
(AF221-2)



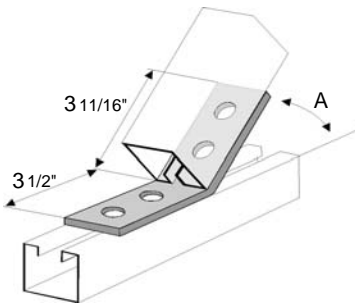
PART No.	A
AF221-1	30°
AF221-2	45°
AF221-3	60°
AF221-4	75°

Wt./C 56 Lbs.  
Std. Pkg. 25 Pcs.

### Four-Hole Open Angle

### AF425

Std Stocking Item  
(AF425-2)



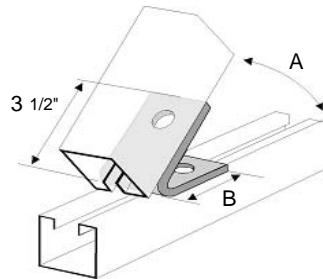
PART No.	A
AF425-1	30°
AF425-2	45°
AF425-3	60°
AF425-4	75°

Wt./C 77 Lbs.  
Std. Pkg. 25 Pcs.

### Two-Hole Closed Angle

### AF225

Std Stocking Item  
(AF225-2)



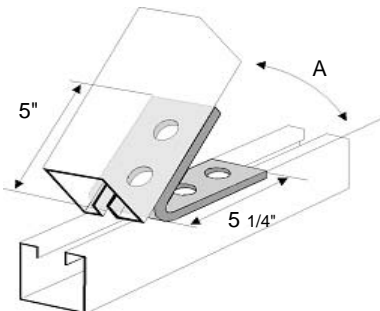
PART No.	A	B	Wt. Per 100
AF225-1	30°	3 1/2	73 #
AF225-2	45°	2 1/2	62 #
AF225-3	60°	2 1/2	62 #
AF225-4	75°	2 1/2	62 #

Std. Pkg. 25 Pcs.

### Four-Hole Closed Angle

### AF426

Std Stocking Item  
(AF426-2)



PART No.	A
AF426-1	30°
AF426-2	45°
AF426-3	60°
AF426-4	75°

Wt./C 108 Lbs.  
Std. Pkg. 25 Pcs.

**FITTING SPECIFICATIONS** (unless noted): Hole Size-9/16" Diameter; Hole Spacing-13/16" from end and 1 7/8" on center.  
Width-1 5/8"; Thickness 1/4"

**FINISHES AVAILABLE:** Zinc Plated, Hot-Dipped Galvanized & Stainless Steel