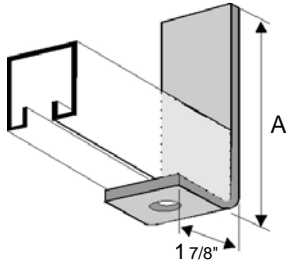


One-Hole Corner Angle

AF100

Non-Stock Item
Priced on Application



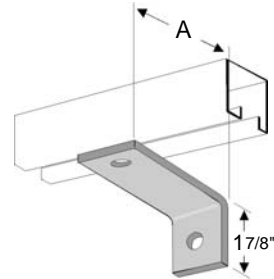
Std. Pkg. 25 Pcs.

PART No.	Dim. A	Wt. Per 100
AF100-1	3 7/8	60#
AF100-2	5 7/8	85#
AF100-3	7 7/8	107#
AF100-4	9 7/8	129#

Two-Hole Corner Angle

AF101

Non-Stock Item
Priced on Application



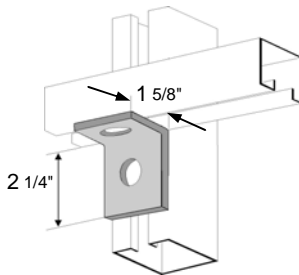
Std. Pkg. 50 Pcs.

PART No.	Dim. A	Wt. Per 100
AF101-1	3	48#
AF101-2	3 1/2	53#
AF101-3	4	60#

Two-Hole Corner Angle

AF200

Std Stocking Item

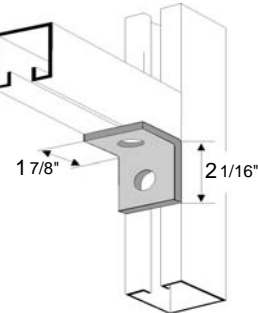


Wt./C 37 Lbs.
Std. Pkg. 50 Pcs.

Two-Hole Corner Angle

AF201

Std Stocking Item

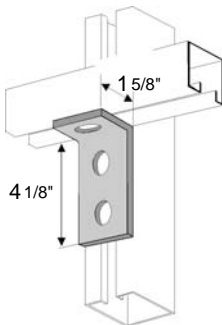


Wt./C 37 Lbs.
Std. Pkg. 50 Pcs.

Three-Hole Corner Angle

AF300

Std Stocking Item

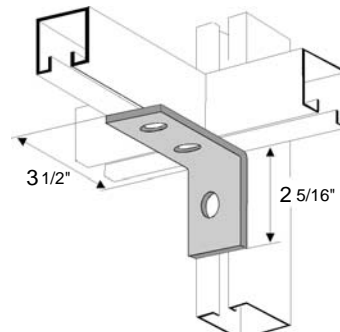


Wt./C 56 Lbs.
Std. Pkg. 25 Pcs.

Three-Hole Corner Angle

AF301

Std Stocking Item



Wt./C 56 Lbs.
Std. Pkg. 25 Pcs.

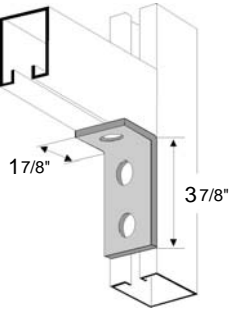
FITTING SPECIFICATIONS (unless noted): Hole Size-9/16" Diameter; Hole Spacing-13/16" from end and 1 7/8" on center.
Width-1 5/8"; Thickness 1/4"

FINISHES AVAILABLE: Zinc Plated, Hot-Dipped Galvanized & Stainless Steel

Three-Hole Corner Angle

AF302

Std Stocking Item

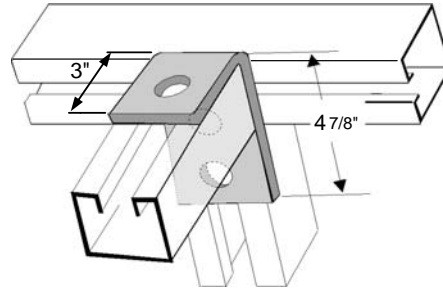


Wt./C 56 Lbs.
Std. Pkg. 25 Pcs.

Three-Hole Corner Angle

AF303

Non-Stock Item
Priced on Application

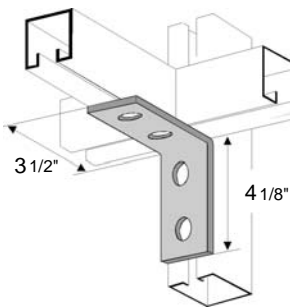


Wt./C 78 Lbs.
Std. Pkg. 25 Pcs.

Four-Hole Corner Angle

AF400

Std Stocking Item

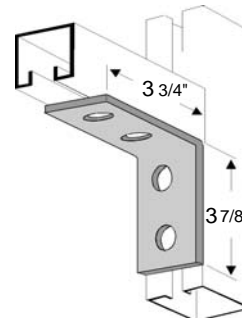


Wt./C 78 Lbs.
Std. Pkg. 20 Pcs.

Four-Hole Corner Angle

AF401

Std Stocking Item

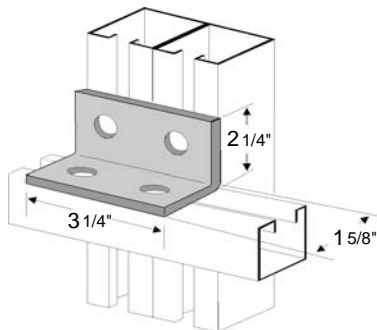


Wt./C 76 Lbs.
Std. Pkg. 20 Pcs.

Four-Hole Corner Angle

AF402

Non-Stock Item
Priced on Application

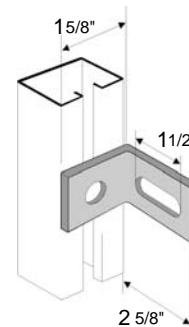


Wt./C 73 Lbs.
Std. Pkg. 20 Pcs.

Two-Hole Adjustable Corner Angle

AF210

Non-Stock Item
Priced on Application



Wt./C 38 Lbs.
Std. Pkg. 25 Pcs.

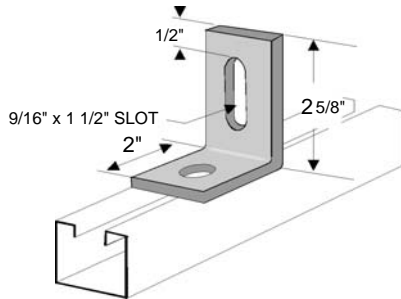
FITTING SPECIFICATIONS (unless noted): Hole Size-9/16" Diameter; Hole Spacing-13/16" from end and 1 7/8" on center.
Width-1 5/8"; Thickness 1/4"

FINISHES AVAILABLE: Zinc Plated, Hot-Dipped Galvanized & Stainless Steel

**Two-Hole Adjustable
Corner Angle**

AF211

Non-Stock Item
Priced on Application

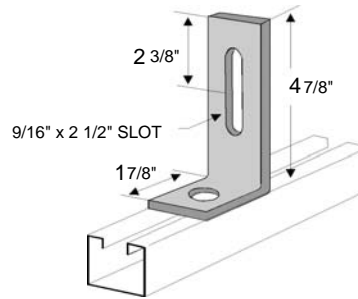


Wt./C 41 Lbs.
Std. Pkg. 25 Pcs.

**Two-Hole Adjustable
Corner Angle**

AF212

Non-Stock Item
Priced on Application

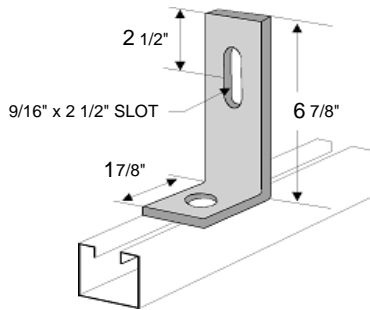


Wt./C 58 Lbs.
Std. Pkg. 25 Pcs.

**Two-Hole Adjustable
Corner Angle**

AF213

Non-Stock Item
Priced on Application

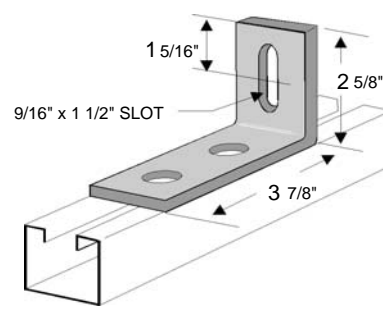


Wt./C 58 Lbs.
Std. Pkg. 25 Pcs.

**Three-Hole Adjustable
Corner Angle**

AF214

Non-Stock Item
Priced on Application

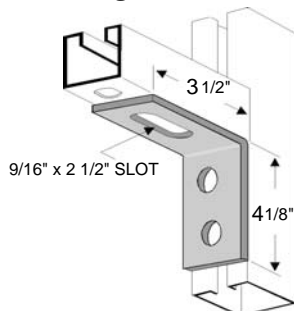


Wt./C 61 Lbs.
Std. Pkg. 25 Pcs.

**Three-Hole Adjustable
Corner Angle**

AF215

Non-Stock Item
Priced on Application

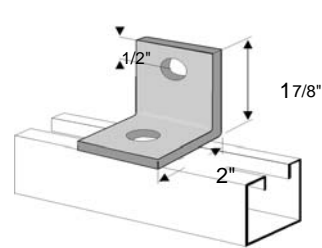


Wt./C 68 Lbs.
Std. Pkg. 20 Pcs.

Two-Hole Bus Duct Angle

AF219

Non-Stock Item
Priced on Application



Wt./C 37 Lbs.
Std. Pkg. 25 Pcs.

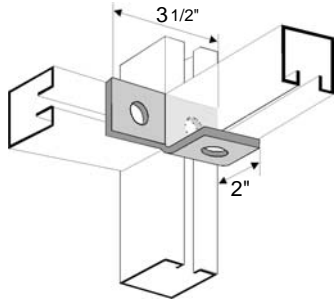
FITTING SPECIFICATIONS (unless noted) : Hole Size-9/16" Diameter; Hole Spacing-13/16" from end and 1 7/8" on center.
Width-1 5/8"; Thickness 1/4"

FINISHES AVAILABLE: Zinc Plated, Hot-Dipped Galvanized & Stainless Steel

**Three-Hole Offset Bent
Angle**

AF310

Non-Stock Item
Priced on Application

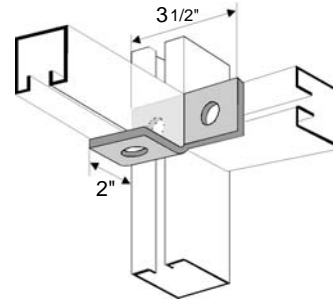


Wt./C 65 Lbs.
Std. Pkg. 25 Pcs.

**Three-Hole Offset Bent
Angle**

AF311

Non-Stock Item
Priced on Application

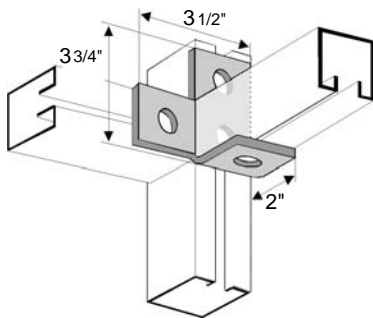


Wt./C 65 Lbs.
Std. Pkg. 25 Pcs.

**Four-Hole Offset Bent
Angle**

AF410

Non-Stock Item
Priced on Application

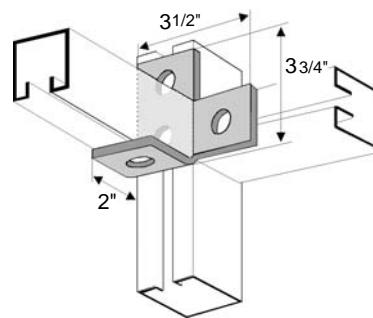


Wt./C 76 Lbs.
Std. Pkg. 20 Pcs.

**Four-Hole Offset Bent
Angle**

AF411

Non-Stock Item
Priced on Application

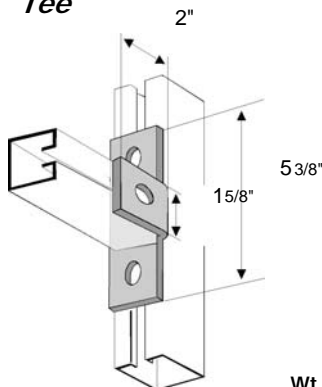


Wt./C 76 Lbs.
Std. Pkg. 20 Pcs.

**Four-Hole Offset Bent
Tee**

AF415

Non-Stock Item
Priced on Application

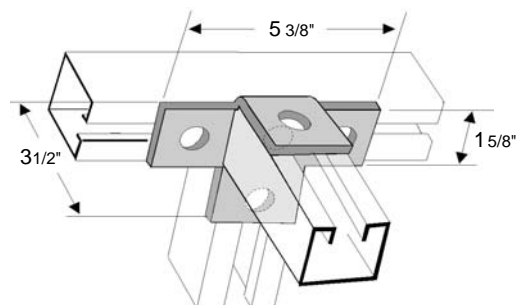


Wt./C 76 Lbs.
Std. Pkg. 20 Pcs.

**Five-Hole Offset Bent
Tee**

AF510

Non-Stock Item
Priced on Application



Wt./C 96 Lbs.
Std. Pkg. 10 Pcs.

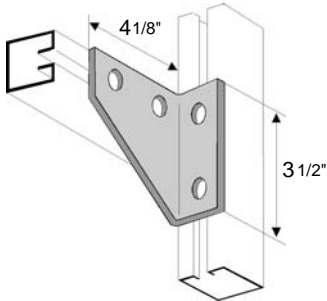
FITTING SPECIFICATIONS (unless noted): Hole Size-9/16" Diameter; Hole Spacing-13/16" from end and 1 7/8" on center.
Width-1 5/8"; Thickness 1/4"

FINISHES AVAILABLE: Zinc Plated, Hot-Dipped Galvanized & Stainless Steel

Four-Hole Corner Gusset

AF420

Non-Stock Item
Priced on Application

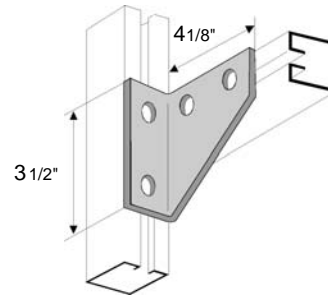


Wt./C 100 Lbs.
Std. Pkg. 20 Pcs.

Four-Hole Corner Gusset

AF421

Non-Stock Item
Priced on Application

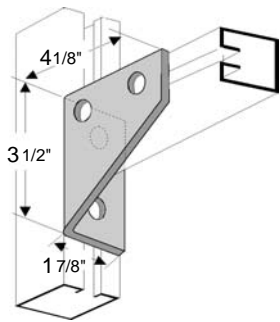


Wt./C 100 Lbs.
Std. Pkg. 20 Pcs.

Four-Hole Corner Gusset

AF422

Non-Stock Item
Priced on Application

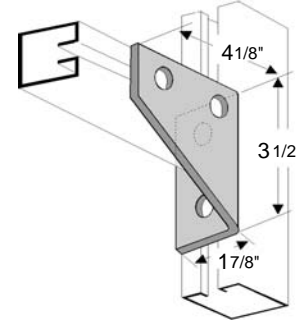


Wt./C 100 Lbs.
Std. Pkg. 20 Pcs.

Four-Hole Corner Gusset

AF423

Non-Stock Item
Priced on Application

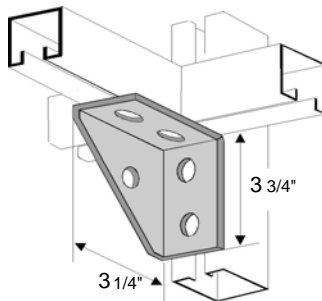


Wt./C 100 Lbs.
Std. Pkg. 25 Pcs.

**Five-Hole Webbed
Corner Angle**

AF430

Std Stocking Item

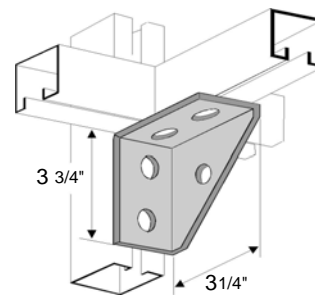


Wt./C 132 Lbs.
Std. Pkg. 10 Pcs.

**Five-Hole Webbed
Corner Angle**

AF431

Std Stocking Item



Wt./C 132 Lbs.
Std. Pkg. 10 Pcs.

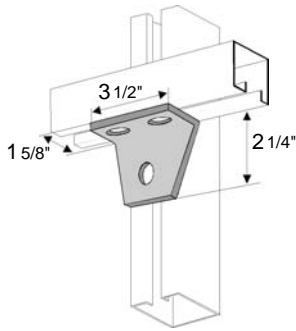
FITTING SPECIFICATIONS (unless noted) : Hole Size-9/16" Diameter; Hole Spacing-13/16" from end and 1 7/8" on center.
Width-1 5/8"; Thickness 1/4"

FINISHES AVAILABLE: Zinc Plated, Hot-Dipped Galvanized & Stainless Steel

**Three-Hole Shelf Gusset
Angle**

AF340

Non-Stock Item
Priced on Application

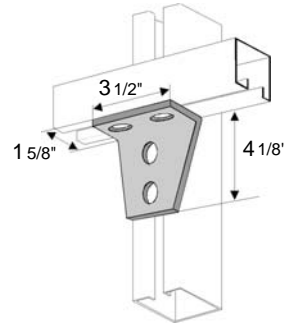


Wt./C 67 Lbs.
Std. Pkg. 20 Pcs.

**Four-Hole Shelf Gusset
Angle**

AF440

Non-Stock Item
Priced on Application

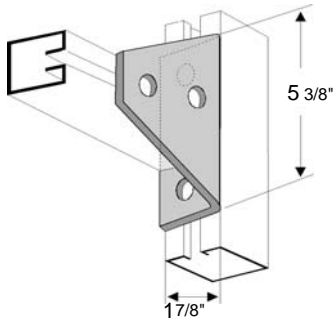


Wt./C 102 Lbs.
Std. Pkg. 20 Pcs.

**Four-Hole Shelf Gusset
Angle**

AF441

Non-Stock Item
Priced on Application

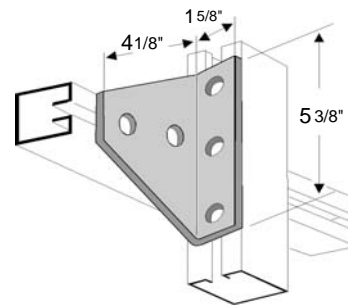


Wt./C 148 Lbs.
Std. Pkg. 20 Pcs.

**Five-Hole Shelf Gusset
Angle**

AF540

Non-Stock Item
Priced on Application

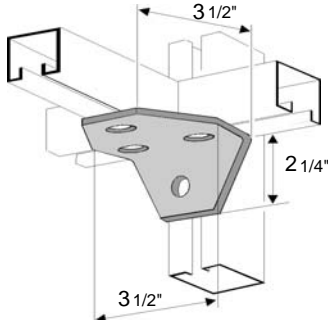


Wt./C 141 Lbs.
Std. Pkg. 20 Pcs.

**Four-Hole Shelf Gusset
Three Way Angle**

AF445

Non-Stock Item
Priced on Application

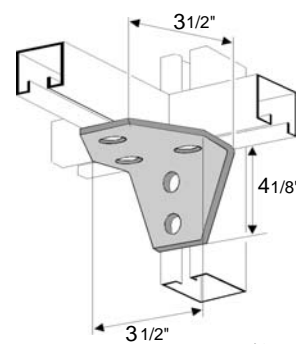


Wt./C 101 Lbs.
Std. Pkg. 20 Pcs.

**Five-Hole Shelf Gusset
Three Way Angle**

AF545

Non-Stock Item
Priced on Application



Wt./C 135 Lbs.
Std. Pkg. 15 Pcs.

FITTING SPECIFICATIONS (unless noted): Hole Size-9/16" Diameter; Hole Spacing-13/16" from end and 1 7/8" on center.
Width-1 5/8"; Thickness 1/4"

FINISHES AVAILABLE: Zinc Plated, Hot-Dipped Galvanized & Stainless Steel