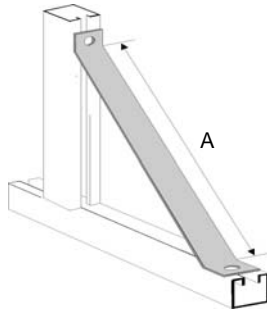


Two-Hole 45° Knee Brace

MF100

Non Stock Item
Priced on Application



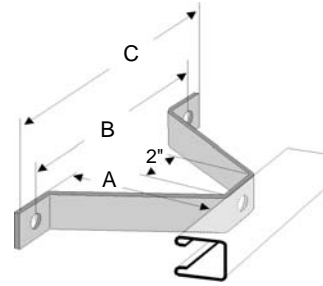
Std. Pkg. BULK

PART No.	Dim. A	Wt. Per 100
MF100-1	8 1/2"	125 #
MF100-2	12"	162 #
MF100-3	17"	216 #
MF100-4	25"	300 #
MF100-5	36"	418 #

Wall Ladder Bracket

MF110

Non Stock Item
Priced on Application



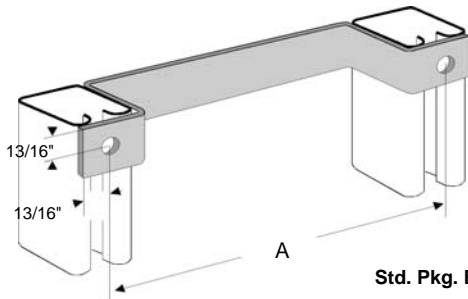
Std. Pkg. BULK

PART No.	Dim. A	Dim. B	Dim. C	Wt. Per 100
MF110-1	2 3/8"	6"	7 1/2"	110 #
MF110-2	4 3/8"	8"	9 1/2"	164 #
MF110-3	6 3/8"	10"	11 1/2"	200 #
MF110-4	8 3/8"	12"	13 1/2"	253 #
MF110-5	10 3/8"	14"	15 1/2"	318 #

Series Ladder Rungs

MF120

Non Stock Item
Priced on Application



Std. Pkg. BULK

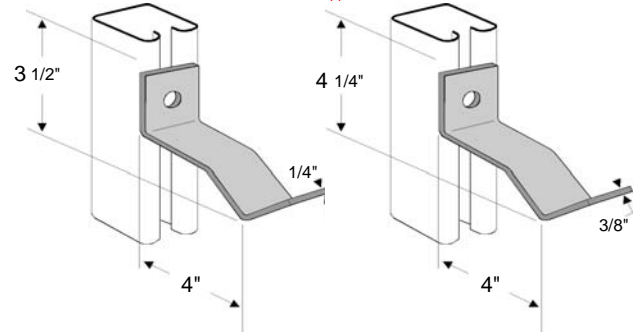
PART No.	Dim. A	Wt. Per 100
MF120-1	12"	176 #
MF120-2	15"	202 #
MF120-3	18"	234 #

Pipe Support Bracket

MF130

MF131

Non Stock Item
Priced on Application



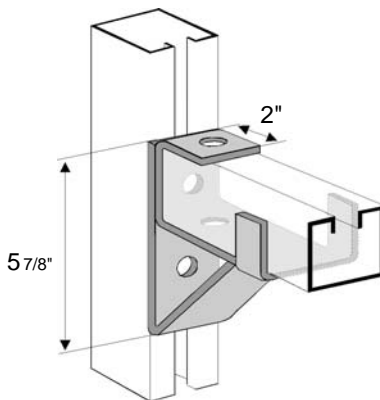
MF130
Wt./C 88 Lbs.
Std. Pkg. 20 Pcs.

MF131
Wt./C 132 Lbs.
Std. Pkg. 20 Pcs.

Single Channel Bracket

SB120

Std Stocking Item

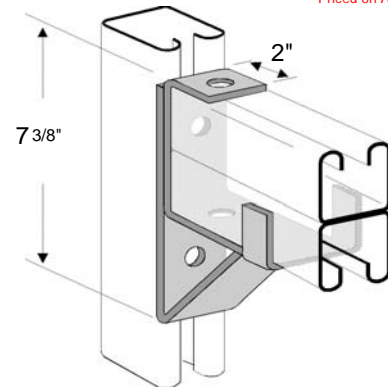


Wt./C 250 Lbs.
Std. Pkg. 5 Pcs.

Double Channel Bracket

SB121

Non Stock Item
Priced on Application



Wt./C 284 Lbs.
Std. Pkg. BULK

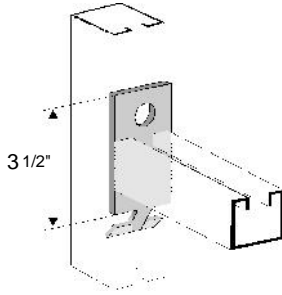
FITTING SPECIFICATIONS (unless noted): Hole Size-9/16" Diameter; Hole Spacing-13/16" from end and 1 7/8" on center.
Width-1 1/2"; Thickness 1/4"

FINISHES AVAILABLE: Zinc Plated, Hot-Dipped Galvanized & Stainless Steel

Channel Plate Bracket Only

SB125

Non-Stock Item
Priced on Application



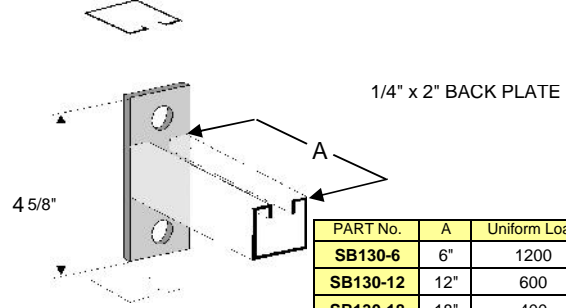
Finish: BARE METAL

Wt./C 45 Lbs.
Std. Pkg. BULK

Single Channel Bracket

SB130

S = Stocking Item
Other Sizes Available



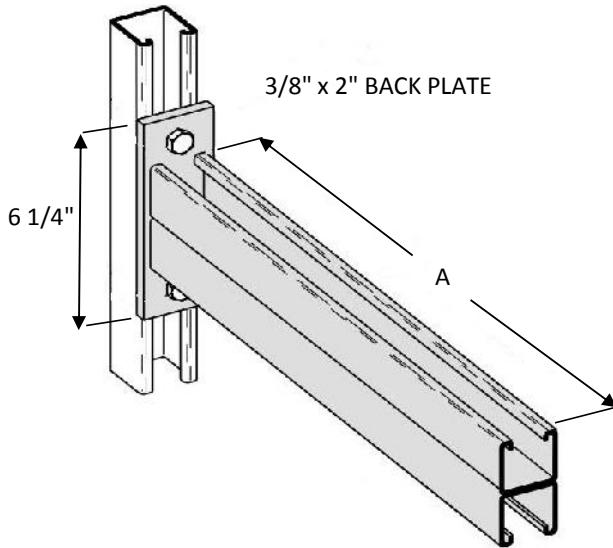
PART No.	A	Uniform Load	WT. Per 100
SB130-6	6"	1200	152 #
SB130-12	12"	600	232 #
SB130-18	18"	400	312 #
SB130-24	24"	300	450 #

Design Load Safety Factor 2.5

Double Channel Bracket

SB135

Non-Stock Item
Priced on Application

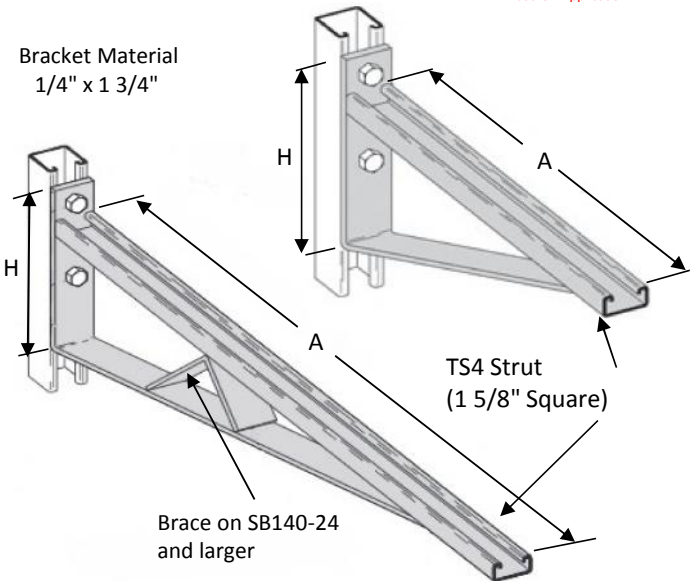


PART No.	A	WT EACH #	Uniform Load
SB135-12	12"	5	1650
SB135-18	18"	7	1100
SB135-24	24"	8	825
SB135-30	30"	11	660
SB135-36	36"	12	550
SB135-42	42"	14	465

Single Channel Bracket

SB140

Non-Stock Item
Priced on Application



PART No.	A	H	Uniform Load
SB140-12	12"	8 3/4"	1500
SB140-15	15"	8 3/4"	1000
SB140-21	21"	8 3/4"	1000
SB140-24	24"	8 3/4"	900
SB140-27	27"	8 3/4"	900
SB140-33	33"	11 1/4"	800
SB140-39	39"	11 1/4"	600

FITTING SPECIFICATIONS (unless noted): Hole Size-9/16" Diameter; Hole Spacing-13/16" from end and 1 7/8" on center.
Width-1 5/8"; Thickness 1/4"

FINISHES AVAILABLE: Zinc Plating, Hot-Dipped Galvanized & Stainless Steel