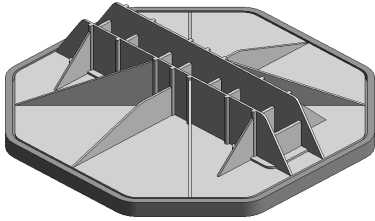
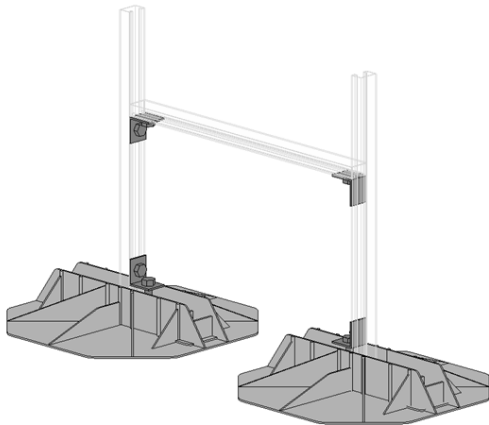
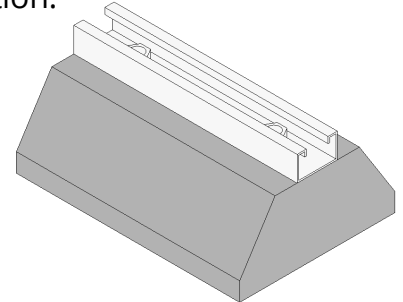


Rooftop Supports



EcoFoot is designed for a wide variety of rooftop applications allowing for greater stability and load bearing. The product design allows for mounting with strut channel, threaded rod, or square tubing. Made of HDPE (High Density Poly Ethylene), each foot comes with a rubber base mat for vibration absorption and roof surface protection.

EcoBlok is designed for lighter weight applications, can be used on its own or with mounted strut channel for secure fastening of pipe, tube, and conduit. EcoBlok is made from recycled UV stabilized rubber, max loading is 500 lbs.

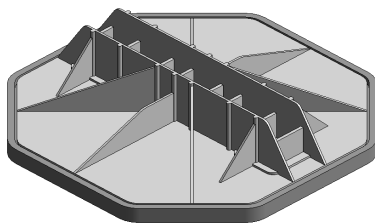


EcoFoot Quick Frame Kits "build your own frame"

Kits come with (2) bases, (4) strut corner fittings and securing hardware. Strut Channel not included!

Part # QF175
(17 1/2" sq. bases)

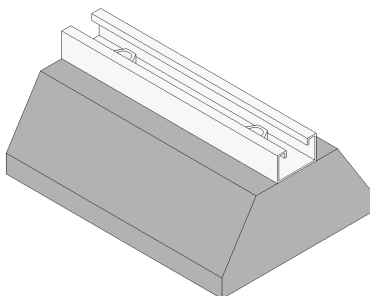
Part # QF120
(12" sq. bases)



EcoFoot

Part # EF175
(17 1/2" sq. base)

Part # EF120
(12" sq. base)



EcoBlok

Part # EB9S
Rubber Blok c/w 8" strut
mount attached

Part # EB9
Rubber Blok Only