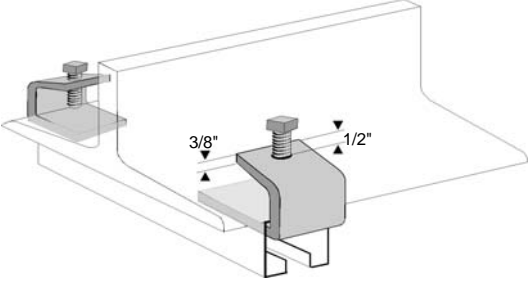
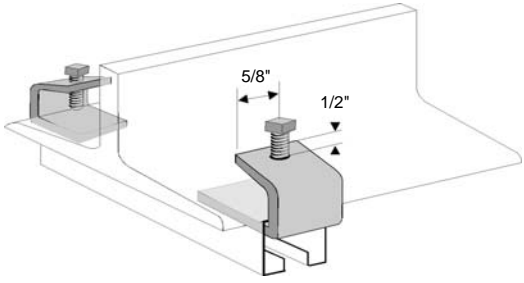
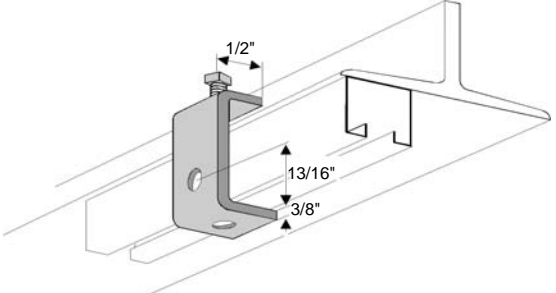
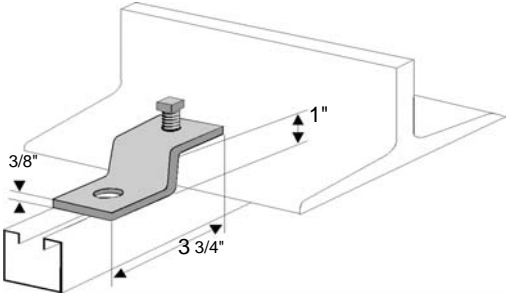
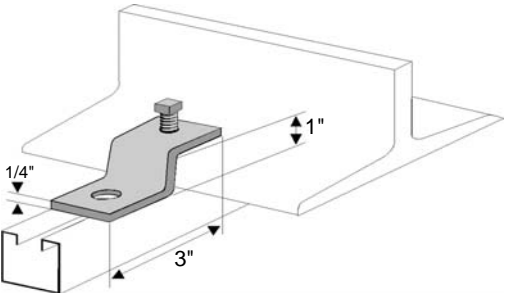
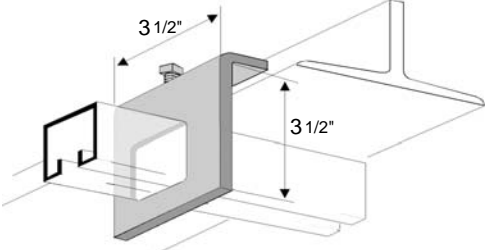


<p>Beam Clamp BC460</p> <p style="text-align: right; color: red;">Non-Stock Item Priced on Application</p>  <p>Maximum flange thickness 1" Design Load 1000 Lbs. (12Ga. Strut) when used in pairs.</p> <p>1/2"-13 Setscrew included. 3/8"x 1 1/4" Material</p> <p style="text-align: center;">Wt./C 62 Lbs. Std. Pkg. 25 Pcs.</p> <p>Sold in pieces</p>	<p>Beam Clamp BC470</p> <p style="text-align: right; color: blue;">Stocking Item</p>  <p>Maximum flange thickness 3/4" Design Load 600 Lbs. (12Ga. Strut) when used in pairs.</p> <p>3/8" - 16 Setscrew included. 1/4" x 1 1/4" Material</p> <p style="text-align: center;">Wt./C 40 Lbs. Std. Pkg. 50 Pcs.</p> <p>Sold in pieces</p>
<p>Beam Clamp BC480</p> <p style="text-align: right; color: blue;">Stocking Item</p>  <p>Design Load 800 Lbs. (12Ga. Strut) when used in pairs.</p> <p>1/2"-13 Setscrew included. 3/8" x 1 1/2" Material</p> <p style="text-align: center;">Wt./C 95 Lbs. Std. Pkg. 25 Pcs.</p> <p>Sold in pieces</p>	<p>"Z" Beam Clamp BC490</p> <p style="text-align: right; color: red;">Non-Stock Item Priced on Application</p>  <p>Design Load 600 Lbs. (12Ga. Strut) when used in pairs.</p> <p>1/2"-13 Setscrew included. 3/8" x 1 1/2" Material</p> <p style="text-align: center;">Wt./C 70 Lbs. Std. Pkg. 25 Pcs.</p> <p>Sold in pieces</p>
<p>"Z" Beam Clamp BC491</p> <p style="text-align: right; color: blue;">Stocking Item</p>  <p>Design Load 500 Lbs. (12Ga. Strut) when used in pairs.</p> <p>1/2"-13 Setscrew included. 1/4" x 1 3/4" Material</p> <p style="text-align: center;">Wt./C 44 Lbs. Std. Pkg. 25 Pcs.</p> <p>Sold in pieces</p>	<p>Window Beam Clamp BC500</p> <p style="text-align: right; color: blue;">Stocking Item</p>  <p>For use with 1 5/8" channel height Design Load 800 Lbs. (12Ga. Strut) when used in pairs.</p> <p>1/2"-13 Setscrew included.</p> <p style="text-align: center;">Wt./C 112 Lbs. Std. Pkg. 25 Pcs.</p> <p>Sold in pieces</p>

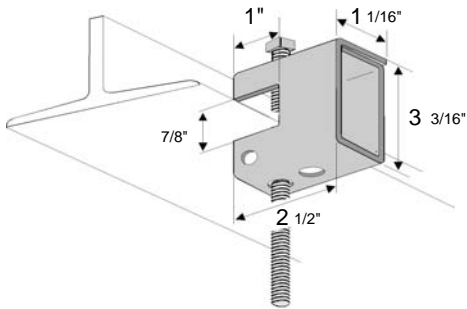
FITTING SPECIFICATIONS (unless noted): Hole Size-9/16" Diameter; Hole Spacing-13/16" from end and 1 7/8" on center.
Width-1 5/8"; Thickness 1/4"

FINISHES AVAILABLE: Zinc Plated, Hot-Dipped Galvanized & Stainless Steel

Beam Clamp

BC515

Std Stocking Item



Maximum flange thickness 13/16"
Design Load 750 Lbs. (12Ga. Strut)
Wrapped seam welded.
1/2"-13 Setscrew and Square
Nut included.

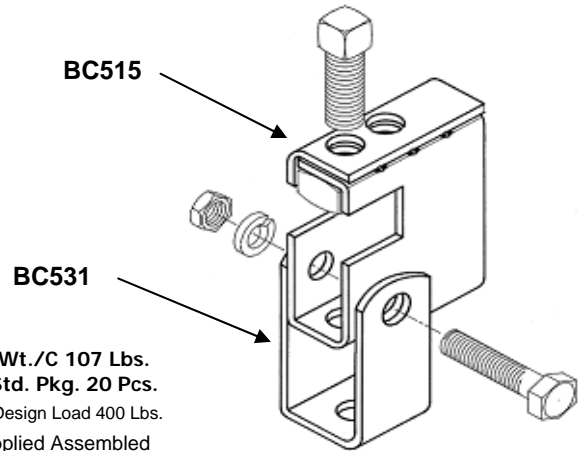
1/8" Material

Wt./C 80 Lbs.
Std. Pkg. 25 Pcs.

Beam Clamp & Swing Connector Assembly

BC516A

Non-Stock Item
Priced on Application

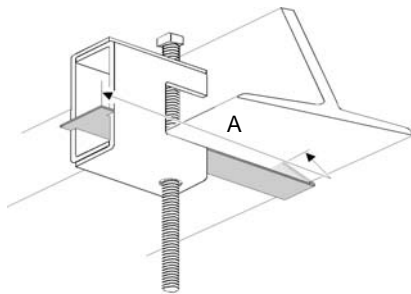


Wt./C 107 Lbs.
Std. Pkg. 20 Pcs.
Design Load 400 Lbs.
Supplied Assembled

Beam Clamp Safety Strap

BC520

Non-Stock Item
Priced on Application



SIZE	A
BC520-6	8"
BC520-6A	9"
BC520-9	11"
BC520-9A	12"
BC520-12A	15"
BC520-16	20"
BC520-20	23"

Std. Pkg. BULK

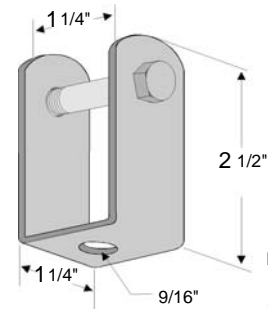
14 Ga. X 1 1/4" Pre-Galvanized Material

Beam Clamp Swing Connector

BC531

Non-Stock Item
Priced on Application

Allows for angular adjustment when using BC515 beam clamps.



Design Load 400 Lbs.

1/8" Material

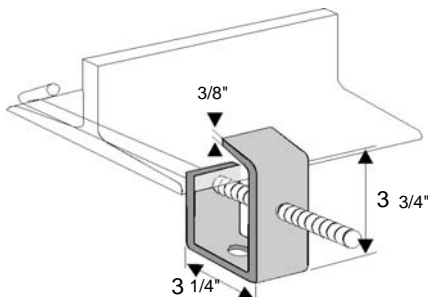
3/8"-16 Capscrew, Lockwasher,
and Nut included.

Wt./C 27 Lbs.
Std. Pkg. 25 Pcs.

Beam Clamp

BC540

Non-Stock Item
Priced on Application



PART No.	Bolt Length	For Flange Width	Wt. Per 100
BC540-1	11"	4" - 9"	240#
BC540-2	19 1/2"	10" - 17"	300#

Maximum Load 800#

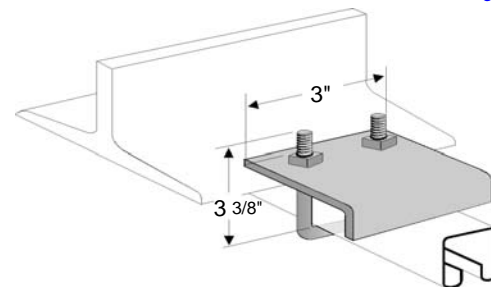
Std. Pkg. BULK

Includes: 1 pc. Beam Clamp
1 pc. J Hook
2 pc 1/2"-13 Hex Nuts

Beam Clamp-Single Strut

BC890

Std Stocking Item



For use with 13/16" to 1 5/8" high channel

Sold in Pieces

Design Load 1200 Lbs.(12Ga. Strut)
when used in pairs.

3/8"-16 Square "U" Bolt
and Nuts included.

Recommended Torque:
150 in-lbs. (16.9 N*m)

Wt./C 83 Lbs.
Std. Pkg. 25 Pcs.

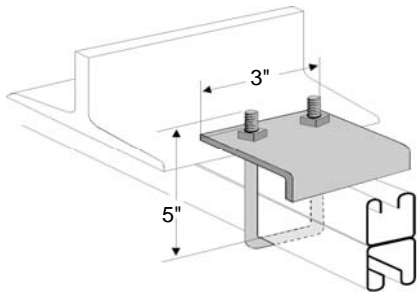
FITTING SPECIFICATIONS (unless noted): Hole Size-9/16" Diameter; Hole Spacing-13/16" from end and 1 7/8" on center.
Width-1 5/8"; Thickness 1/4"

FINISHES AVAILABLE: Zinc Plated, Hot-Dipped Galvanized & Stainless Steel

Beam Clamp-Double Strut

BC891

Std Stocking Item

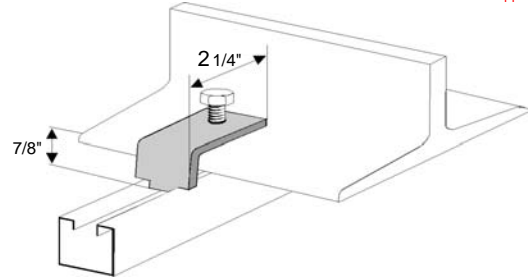


3/8"-16 Square "U" Bolt and Nuts included
 For use with 1 5/8" to 3 1/4" high channel
 Design Load 1200 Lbs.(12Ga. Strut) when used in pairs
 Recommended Torque: **Wt./C 92 Lbs.**
 150 in-lbs. (16.9 N*m) Sold in Pieces **Std. Pkg. 25 Pcs.**

Beam Clamp

BC900

Non-Stock Item
 Priced on Application



Design Load 1000 Lbs. (12Ga. Strut)
 when used in pairs.

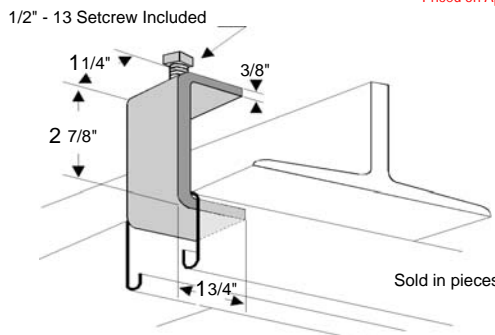
Sold in pieces

Wt./C 26 Lbs.
Std. Pkg. 50 Pcs.

Beam Clamp

BC700

Non-Stock Item
 Priced on Application



Design Load 1000 Lbs. (12Ga. Strut)
 when used in pairs.

Wt./C 80 Lbs.
Std. Pkg. 25 Pcs.

FITTING SPECIFICATIONS (unless noted) : Hole Size-9/16" Diameter; Hole Spacing-13/16" from end and 1 7/8" on center.
 Width-1 5/8"; Thickness 1/4"

FINISHES AVAILABLE: Zinc Plated, Hot-Dipped Galvanized & Stainless Steel