

Zinc Strut Pipe Clamp - RIGID

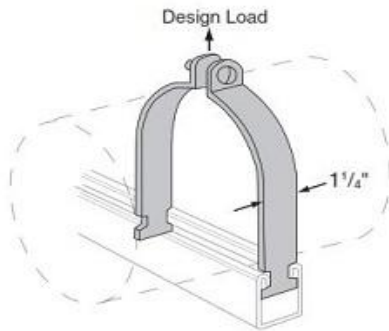
910R



*Stainless Steel 910R 2 - 910R 8 = 14 GA.

PART No.	PIPE SIZE	O.D.	*GAUGE	Design Load	Wt. Per 100	Std. Pkg.
910R 3/8	3/8	0.675	16 GA	400 #	9 #	100
910R 1/2	1/2	0.840	16 GA	400 #	14 #	100
910R 3/4	3/4	1.050	14 GA	600 #	17 #	100
910R 1	1	1.315	14 GA	600 #	18 #	100
910R 1 1/4	1 1/4	1.660	14 GA	600 #	22 #	100
910R 1 1/2	1 1/2	1.900	14 GA	600 #	23 #	100
910R 2	2	2.375	14 GA	600 #	27 #	50
910R 2 1/2	2 1/2	2.875	12 GA	800 #	40 #	25
910R 3	3	3.500	12 GA	800 #	50 #	25
910R 3 1/2	3 1/2	4.000	12 GA	800 #	52 #	25
910R 4	4	4.500	12 GA	800 #	54 #	25
910R 5	5	5.563	12 GA	800 #	72 #	20
910R 6	6	6.625	12 GA	800 #	102 #	25
910R 8	8	8.625	12 GA	800 #	104 #	25

ALSO AVAILABLE IN: Stainless Steel (316 SS)



Zinc Strut Pipe Clamp - EMT

910E

PART No.	PIPE SIZE	O.D.	GAUGE	Design Load	Wt. Per 100	Std. Pkg.
910E 3/8	3/8	0.577	16 GA	400 #	7 #	100
910E 1/2	1/2	0.706	16 GA	400 #	12 #	100
910E 3/4	3/4	0.922	16 GA	400 #	14 #	100
910E 1	1	1.163	14 GA	600 #	16 #	100
910E 1 1/4	1 1/4	1.510	14 GA	600 #	20 #	100
910E 1 1/2	1 1/2	1.740	14 GA	600 #	21 #	100
910E 2	2	2.197	14 GA	600 #	23 #	50

ALSO AVAILABLE IN: Stainless Steel (316 SS)

DESIGN LOAD INCLUDES A SAFETY FACTOR OF 5.0
(safety factor = ratio of ultimate load to the design load)

Zinc plated hex head screw and nut included.

Copper-Gard Strut Pipe Clamp - COPPER TUBING

910C



Copper plated hex head screw and nut included.

PART No.	PIPE SIZE	O.D.	GAUGE	Design Load	Wt. Per 100	Std. Pkg.
910C 3/8	3/8	0.500	16 GA	400 #	9 #	100
910C 1/2	1/2	0.625	16 GA	400 #	14 #	100
910C 3/4	3/4	0.875	16 GA	400 #	16 #	100
910C 1	1	1.125	14 GA	600 #	18 #	100
910C 1 1/4	1 1/4	1.375	14 GA	600 #	22 #	100
910C 1 1/2	1 1/2	1.625	14 GA	600 #	23 #	100
910C 2	2	2.125	14 GA	600 #	25 #	100
910C 2 1/2	2 1/2	2.625	12 GA	800 #	40 #	50
910C 3	3	3.125	12 GA	800 #	50 #	50
910C 3 1/2	3 1/2	3.625	12 GA	800 #	52 #	25
910C 4	4	4.125	12 GA	800 #	54 #	25
910C 5	5	5.125	12 GA	800 #	72 #	25
910C 6	6	6.125	12 GA	800 #	102 #	25

DESIGN LOAD INCLUDES A SAFETY FACTOR OF 5.0
(safety factor = ratio of ultimate load to the design load)

#46 HOLD DOWN CLAMP

Finish: Bare Metal

alt: Zinc Plated, Hot Dipped Galvanized

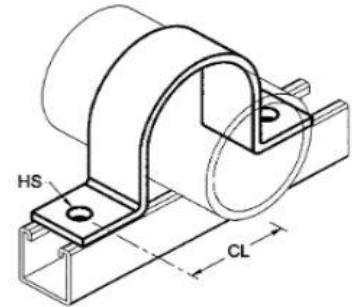
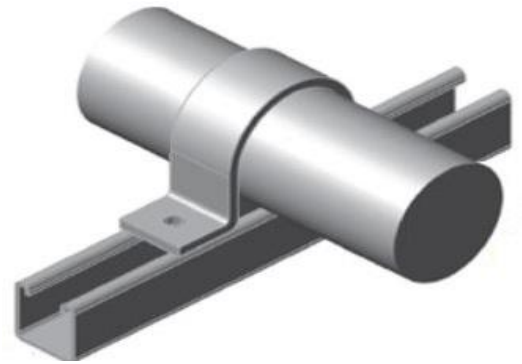
Material: Carbon Steel

alt: Stainless Steel 304 and 316

Approvals: Complies with MSS SP-58
and SP-69 (Type 26).

Recommended: Designed to steady a horizontal run
of pipe against a perpendicular
section of strut channel or any
other flat surface

Notes:



Iron Pipe Size	SPECIFICATION DATA			Weight Each (Lbs)
	HS (Hole Size)	CL	MATERIAL	
1/2	5/16	15/16	1/8 x 1 5/8	0.23
3/4	5/16	1	1/8 x 1 5/8	0.26
1	5/16	1 1/8	1/8 x 1 5/8	0.31
1 1/4	5/16	1 5/16	1/8 x 1 5/8	0.35
1 1/2	5/16	1 7/16	1/8 x 1 5/8	0.39
2	7/16	2 1/8	1/4 x 1 5/8	0.94
2 1/2	7/16	2 3/8	1/4 x 1 5/8	1.14
3	7/16	2 11/16	1/4 x 1 5/8	1.33
3 1/2	7/16	2 15/16	1/4 x 1 5/8	1.52
4	9/16	3 3/16	1/4 x 1 5/8	1.76
5	9/16	3 3/4	1/4 x 1 5/8	1.98
6	9/16	4 1/4	1/4 x 1 5/8	2.25
8	9/16	5 5/16	1/4 x 1 3/4	3.10
10	9/16	6 5/16	1/4 x 1 3/4	3.70
12	9/16	7 5/16	1/4 x 1 3/4	4.40
14	15/16	8 7/8	3/8 x 1 3/4	7.80
16	15/16	9 7/8	3/8 x 1 3/4	8.70
18	15/16	11 3/4	1/2 x 1 3/4	13.20
20	15/16	12 3/4	1/2 x 1 3/4	14.50
24	15/16	14 3/4	1/2 x 1 3/4	17

QWI 4.3.1 Issue Date Mar/17

Note: If details and dimensions are critical to your application please insure you are referencing the most recent version of this specification sheet from our website.