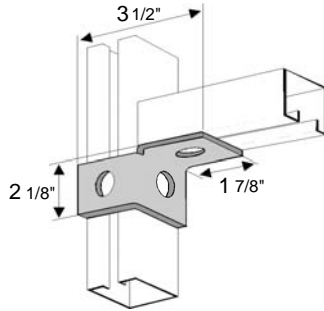


**Three-Hole Single Wing Connection**

**WF300**

Non-Stock Item  
Priced on Application

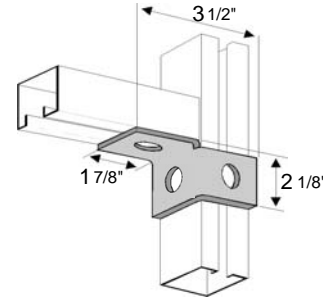


Wt./C 54 Lbs.  
Std. Pkg. 20 Pcs.

**Three-Hole Single Wing Connection**

**WF301**

Non-Stock Item  
Priced on Application

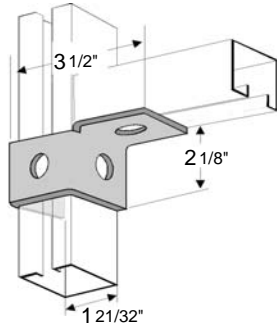


Wt./C 54 Lbs.  
Std. Pkg. 20 Pcs.

**Four-Hole Single Wing Connection**

**WF400**

Non-Stock Item  
Priced on Application

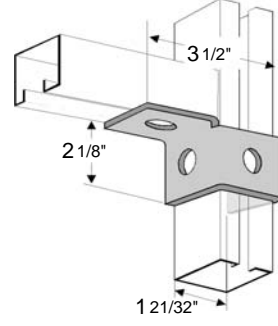


Wt./C 77 Lbs.  
Std. Pkg. 10 Pcs.

**Four-Hole Single Wing Connection**

**WF401**

Non-Stock Item  
Priced on Application

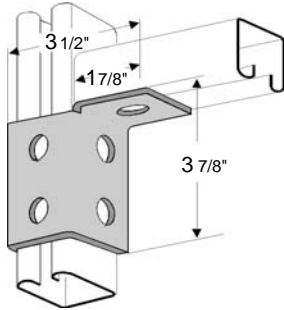


Wt./C 77 Lbs.  
Std. Pkg. 10 Pcs.

**Five-Hole Single Wing Connection**

**WF500**

Non-Stock Item  
Priced on Application

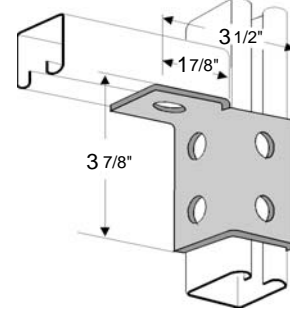


Wt./C 100 Lbs.  
Std. Pkg. 20 Pcs.

**Five-Hole Single Wing Connection**

**WF501**

Non-Stock Item  
Priced on Application



Wt./C 100 Lbs.  
Std. Pkg. 20 Pcs.

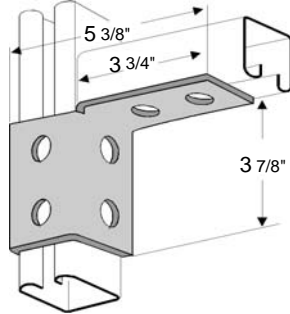
**FITTING SPECIFICATIONS** (unless noted) : Hole Size-9/16" Diameter; Hole Spacing-13/16" from end and 1 7/8" on center.  
Width-1 5/8"; Thickness 1/4"

**FINISHES AVAILABLE:** Zinc Plated, Hot-Dipped Galvanized & Stainless Steel

**Six-Hole Single  
Corner Connection**

**WF600**

Non-Stock Item  
Priced on Application

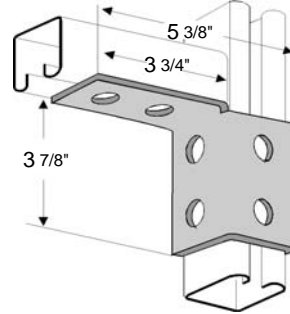


Wt./C 120 Lbs.  
Std. Pkg. 20 Pcs.

**Six-Hole Single  
Corner Connection**

**WF601**

Non-Stock Item  
Priced on Application

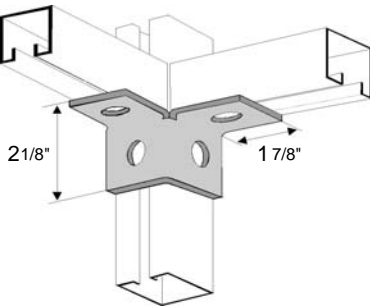


Wt./C 120 Lbs.  
Std. Pkg. 20 Pcs.

**Four-Hole Double  
Corner Connection**

**WF405**

Non-Stock Item  
Priced on Application

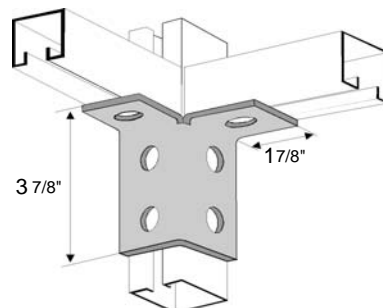


Wt./C 71 Lbs.  
Std. Pkg. 20 Pcs.

**Six-Hole Double  
Corner Connection**

**WF605**

Non-Stock Item  
Priced on Application

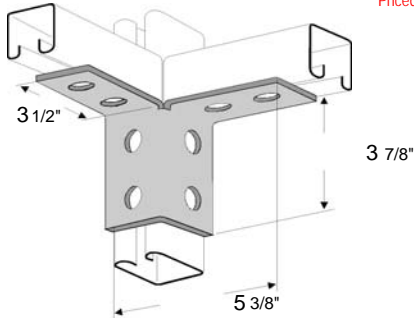


Wt./C 110 Lbs.  
Std. Pkg. 20 Pcs.

**Eight-Hole Double  
Corner Connection**

**WF805**

Non-Stock Item  
Priced on Application

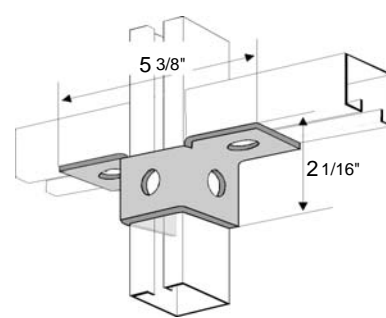


Wt./C 152 Lbs.  
Std. Pkg. 10 Pcs.

**Five-Hole Double Wing  
Connection**

**WF510**

Std Stocking Item



Wt./C 95 Lbs.  
Std. Pkg. 10 Pcs.

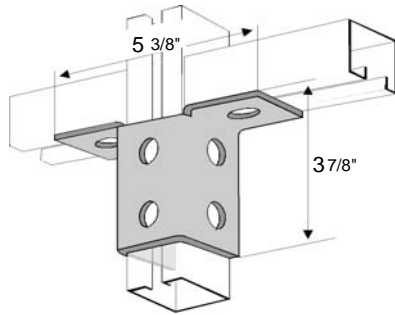
**FITTING SPECIFICATIONS** (unless noted) : Hole Size-9/16" Diameter; Hole Spacing-13/16" from end and 1 7/8" on center.  
Width-1 5/8"; Thickness 1/4"

**FINISHES AVAILABLE:** Zinc Plated, Hot-Dipped Galvanized & Stainless Steel

**Eight-Hole Double Wing Connection**

**WF810**

Std. Stocking Item

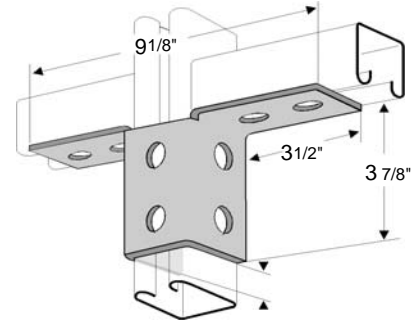


Wt./C 156 Lbs.  
Std. Pkg. 20 Pcs.

**Ten-Hole Double Wing Connection**

**WF1010**

Non-Stock Item  
Priced on Application

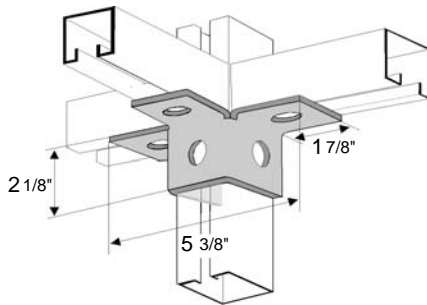


Wt./C 185 Lbs.  
Std. Pkg. 10 Pcs.

**Six-Hole Triple Wing Connection**

**WF620**

Non-Stock Item  
Priced on Application

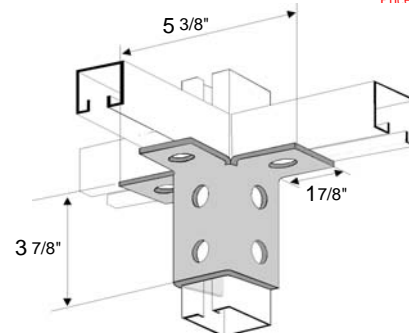


Wt./C 110 Lbs.  
Std. Pkg. 20 Pcs.

**Nine-Hole Triple Wing Connection**

**WF920**

Non-Stock Item  
Priced on Application

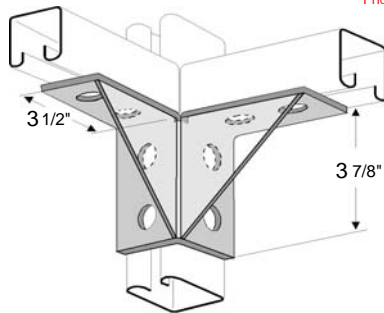


Wt./C 177 Lbs.  
Std. Pkg. 10 Pcs.

**Eight-Hole Double Corner Gussetted Connection**

**WF830**

Non-Stock Item  
Priced on Application

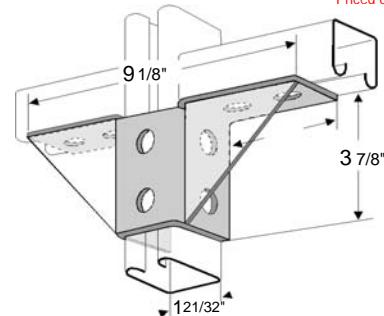


Wt./C 196 Lbs.  
Std. Pkg. 5 Pcs.

**Ten-Hole Double Wing Gussetted Connection**

**WF1030**

Non-Stock Item  
Priced on Application



Wt./C 240 Lbs.  
Std. Pkg. 5 Pcs.

**FITTING SPECIFICATIONS** (unless noted) : Hole Size-9/16" Diameter; Hole Spacing-13/16" from end and 1 7/8" on center.  
Width-1 5/8"; Thickness 1/4"

**FINISHES AVAILABLE:** Zinc Plated, Hot-Dipped Galvanized & Stainless Steel