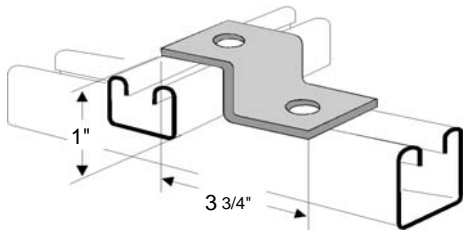


Two-Hole "Z" Support

ZF201

Non-Stock Item
Priced on Application

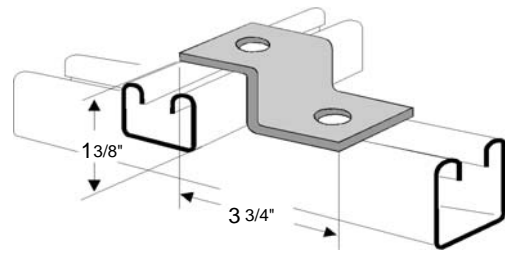


Wt./C 44 Lbs.
Std. Pkg. 25 Pcs.

Two-Hole "Z" Support

ZF202

Non-Stock Item
Priced on Application

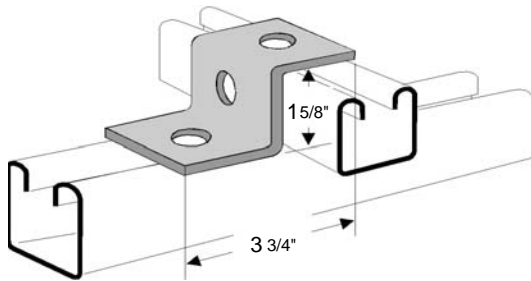


Wt./C 51 Lbs.
Std. Pkg. 25 Pcs.

Three-Hole "Z" Support

ZF203

Non-Stock Item
Priced on Application

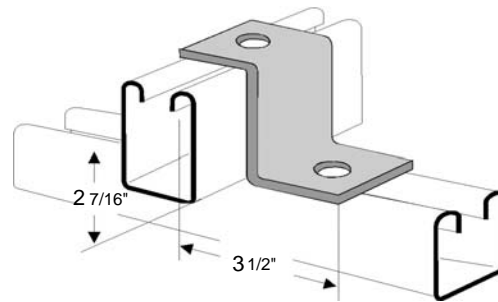


Wt./C 51 Lbs.
Std. Pkg. 25 Pcs.

Two-Hole "Z" Support

ZF204

Non-Stock Item
Priced on Application

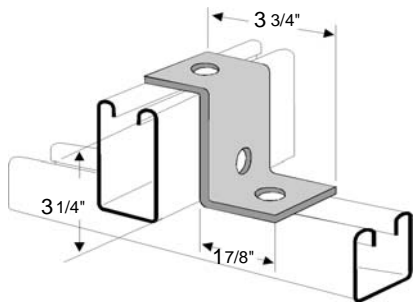


Wt./C 63 Lbs.
Std. Pkg. 25 Pcs.

Three-Hole "Z" Support

ZF205

Non-Stock Item
Priced on Application

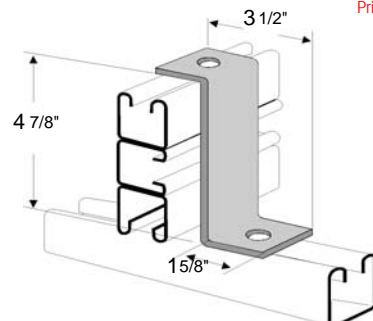


Wt./C 70 Lbs.
Std. Pkg. 25 Pcs.

Two-Hole "Z" Support

ZF206

Non-Stock Item
Priced on Application



Wt./C 90 Lbs.
Std. Pkg. 25 Pcs.

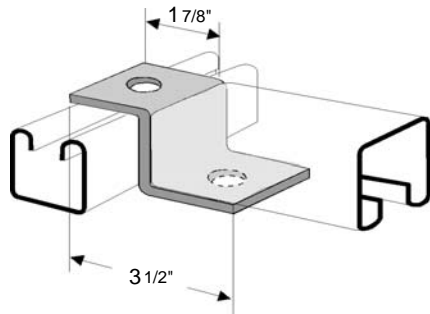
FITTING SPECIFICATIONS (unless noted): Hole Size-9/16" Diameter; Hole Spacing-13/16" from end and 1 7/8" on center.
Width-1 1/2"; Thickness 1/4"

FINISHES AVAILABLE: Zinc Plated, Hot-Dipped Galvanized & Stainless Steel

Two-Hole Offset "Z" Support

ZF210

Non-Stock Item
Priced on Application

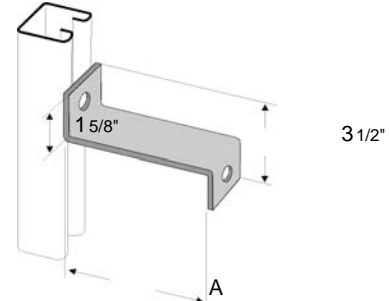


Wt./C 55 Lbs.
Std. Pkg. 25 Pcs.

Two-Hole "Z" Bus Duct Connection

ZF220

Non-Stock Item
Priced on Application

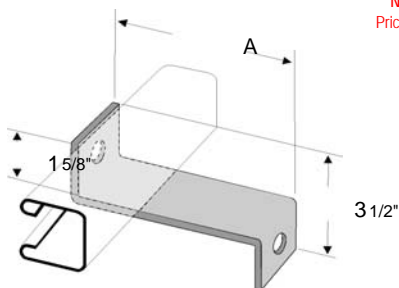


PART No.	A	Wt. Per 100	Std. Pkg.
ZF220-1	2 5/32"	62 #	25
ZF220-2	3 17/32"	78 #	20
ZF220-3	4 1/2"	89 #	20

Two-Hole "Z" Support

ZF221

Non-Stock Item
Priced on Application



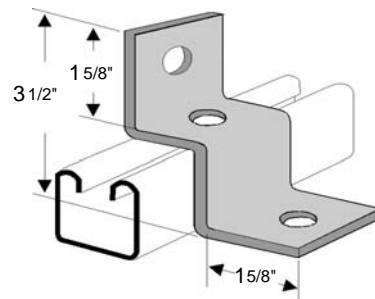
PART No.	A	Wt. Per 100
ZF221-1	4"	77 #
ZF221-2	5"	95 #
ZF221-3	6"	98 #
ZF221-4	7"	105 #
ZF221-5	8"	120 #

Std. Pkg. 20 Pcs.

Three-Hole Sheath Corner Connection

ZF300

Non-Stock Item
Priced on Application

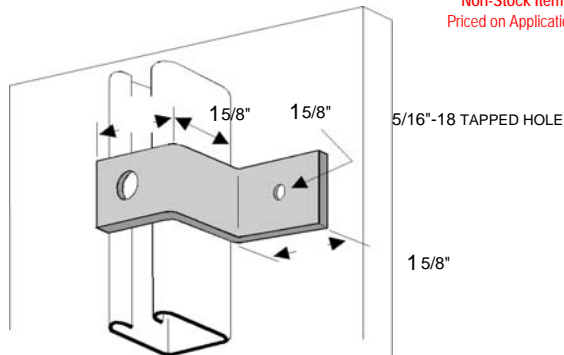


Wt./C 68 Lbs.
Std. Pkg. 20 Pcs.

Tapped "Z" Support

ZF230

Non-Stock Item
Priced on Application

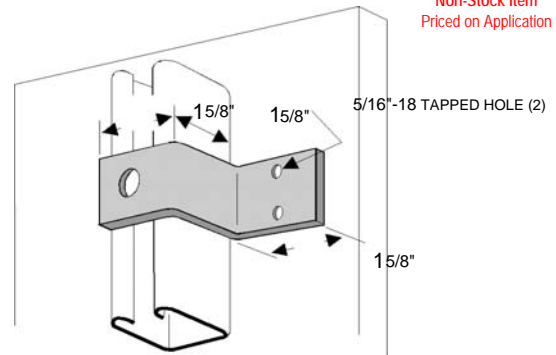


Wt./C 51 Lbs.
Std. Pkg. 25 Pcs.

Tapped "Z" Support

ZF231

Non-Stock Item
Priced on Application



Wt./C 50 Lbs.
Std. Pkg. 25 Pcs.

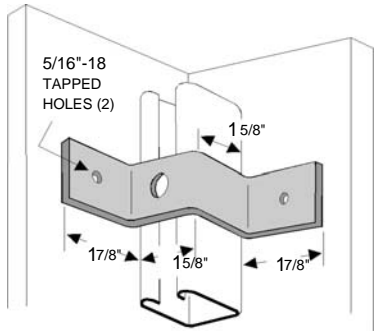
FITTING SPECIFICATIONS (unless noted) : Hole Size-9/16" Diameter; Hole Spacing-13/16" from end and 1 7/8" on center.
Width-1 1/2"; Thickness 1/4"

FINISHES AVAILABLE: Zinc Plated, Hot-Dipped Galvanized & Stainless Steel

Tapped Corner Connection

ZF330

Non-Stock Item
Priced on Application

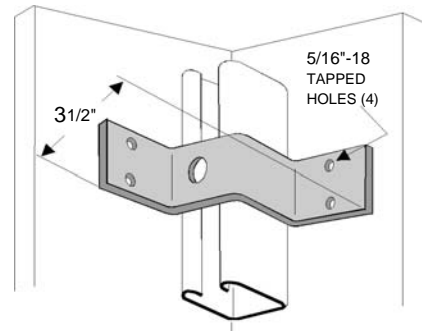


Wt./C 71 Lbs.
Std. Pkg. 20 Pcs.

Tapped Corner Connection

ZF331

Non-Stock Item
Priced on Application



Wt./C 68 Lbs.
Std. Pkg. 20 Pcs.

FITTING SPECIFICATIONS (unless noted) : Hole Size-9/16" Diameter; Hole Spacing-13/16" from end and 1 7/8" on center.
Width-1 1/2"; Thickness 1/4"

FINISHES AVAILABLE: Zinc Plated, Hot-Dipped Galvanized & Stainless Steel